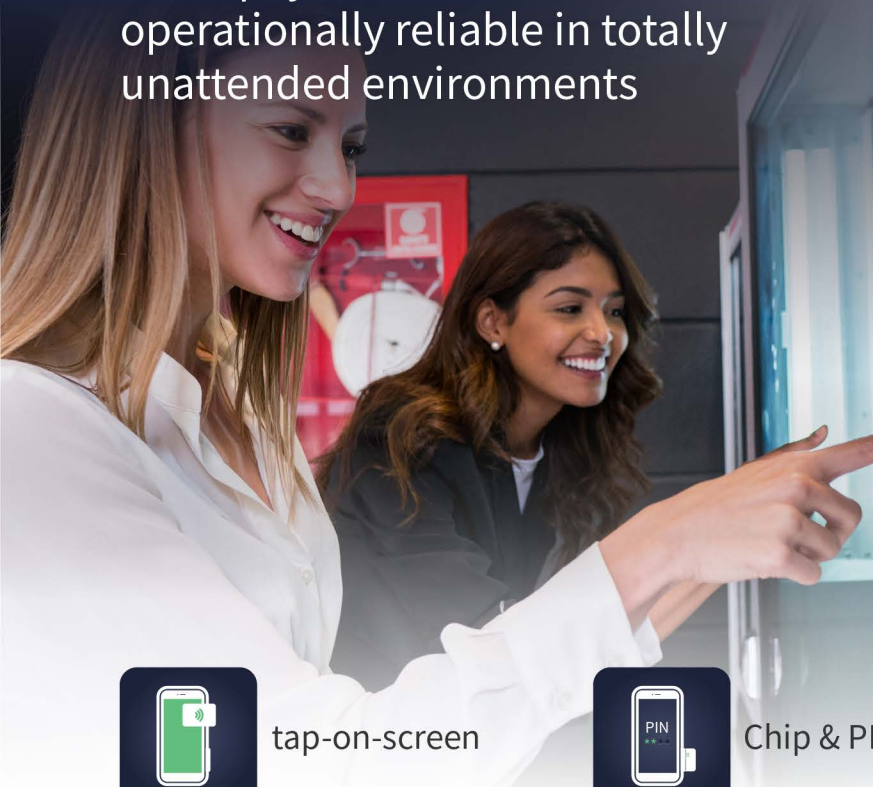


Versatile and smart solution

# S1 All in one **Self-Service Payment Terminal**

Complied with EVA standard with a durable and long-lasting case, SPECTRA's S1 self-service payment terminal offers a robust set of payment features and is operationally reliable in totally unattended environments



tap-on-screen



Chip & PIN



NFC Contactless



Android OS 12



PCI 6.x



5.5" 720 x 1440 IPS capacitive multi-touch display



EVA



IP65



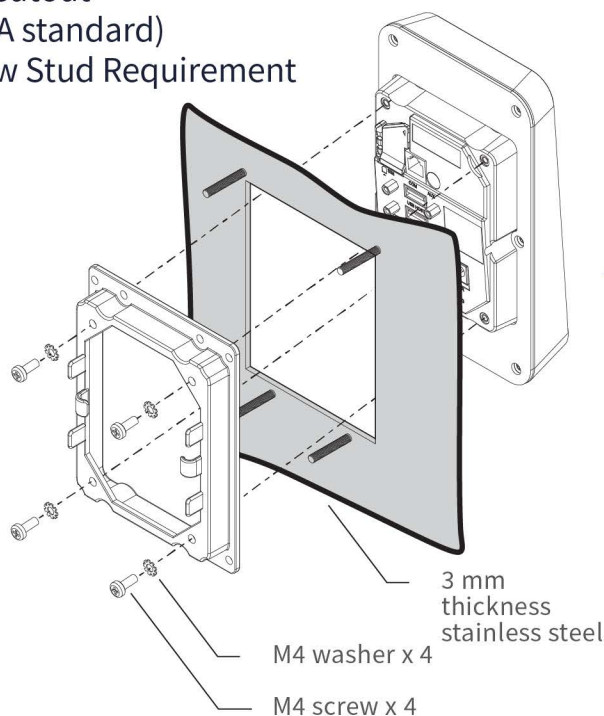
Sturdy

# Specifications of S1 Self-Service Payment Terminal

Processor	Quad-core A53@ 2.0GHz + Secure processor
Operating system	Android 12
Memory	2GB RAM+16GB Flash
Display	5.5" 720x1440 IPS capacitive multi-touch
Camera	0.3M FF front camera
NFC	ISO14443 A/B and FeliCa, front-top LCD side
ICC	Smart Card complies with ISO7816
Ports	MDB slave, RS232 in RJ11
USB port	USB Host type-A x 1
Sensor	Proximity sensor near front camera
SIM	Mini SIM x 2
SAM	SAM slot x 1
Power	12-48V via MDB port, 9-18V via DC Jack
Connectivity	4G-LTE/3G/2G, dual band WiFi 802.11 b/g/n/ac, Bluetooth 5.0, 100Mbps Ethernet
Frequency bands	GSM:BAND 850/900/1800/1900, WCDMA:BAND1/2/4/5/8 TDD:BAND 38/40 (120M), FDD:B1/2/3/4/5/7/20/28
Operation temperature	0°C - 70°C
Storage temperature	-25°C - 70°C
Dimension & weight	170(L) X 105(W) X 41(D) mm, 527g
Installation cutout	106(L) X 82(W)mm

\*Specifications is subject to change without prior notice.

## Panel Cutout (for EVA standard) & Screw Stud Requirement



## Certification

CE FC PCI 6.x EMVCo.

